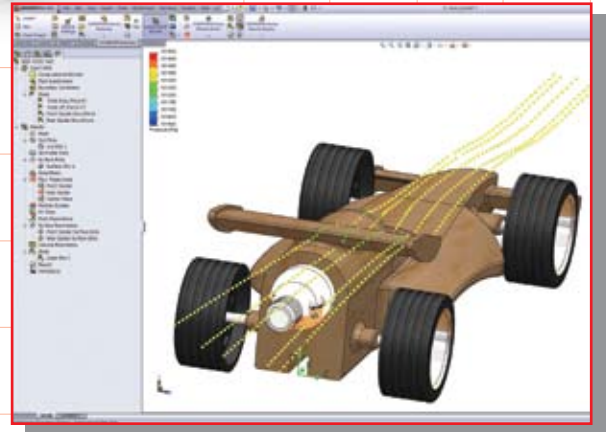
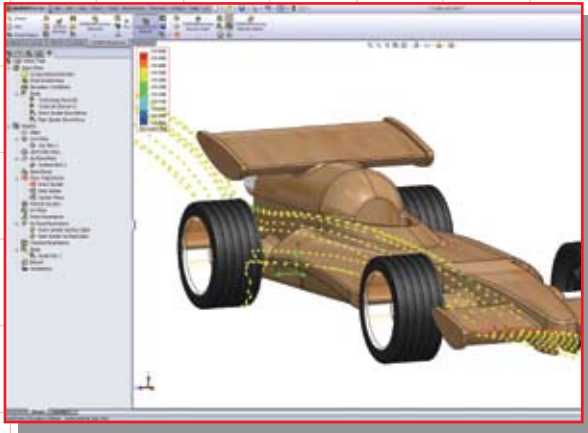
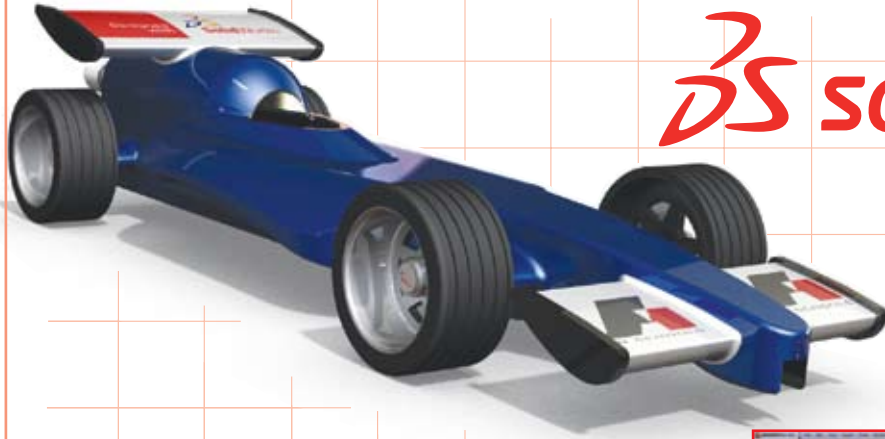




# SolidWorks™ Education Edition\*

3D DESIGN, DRAFTING AND SIMULATION SOFTWARE



Technical support through SolidWorks' Customer Portal

Teacher resources & curriculum materials, including an F1 in Schools Project, are supplied with every license of SolidWorks Education Edition\*.

\*Classroom Licence Package for Secondary Schools (any school below college/university level)

# SolidWorks™ 3D Design

3D DESIGN, DRAFTING AND SIMULATION SOFTWARE

SolidWorks is the same software that engineering professionals worldwide use to design innovative, real-world products. SolidWorks Education Edition\* includes curriculum materials, making it easy for you to teach at every level of education, and is ideal for those involved in delivering the new Engineering Diplomas.

SolidWorks is simple for your students to learn and use. Without leaving the SolidWorks application, students will be able to fully simulate their designs, enabling them to truly learn about engineering processes.

## DESIGN ANY PROJECT IN 3D

with ease using SolidWorks' powerful, yet easy-to-learn tools, then create professional-quality drawings, photo-quality renderings and animation.

SolidWorks was the first parametric 3D CAD tool ever developed for Windows™, and since its initial release in 1995, it has continued to define the standard for usability in 3D CAD.

## NEW for SolidWorks Education 2011/12

### SolidWorks Sustainability

Rapidly calculate the environmental impact of your designs based on your material choices, manufacturing and use location. Calculates CO<sub>2</sub> footprint, water and air pollution and total energy consumption.

## TEACHER RESOURCES & CURRICULUM

are included with every license of SolidWorks Education Edition\* to help educators learn and teach the software. Materials include Teacher and Student Guides, F1 in Schools Project, Bridge Design Project, PowerPoint™ presentations and tests, as well as more than 50 tutorials built into the product. All of this material is designed to help educators focus on teaching design rather than simply on CAD commands.

## SOLIDWORKS SUBSCRIPTION SERVICE

is included the first year with every purchase, and may be renewed each year for continued peace of mind. Subscription Service provides:

- Technical support through SolidWorks' Customer Portal
- Product upgrades and updates
- Free home-use licenses for your students

## SIMULATE YOUR DESIGNS

Simulate your designs in SolidWorks. Without even leaving the SolidWorks application, your students will be able to fully simulate their designs, enabling them to truly learn about engineering processes.

Here you see an aerodynamic simulation of an F1 in Schools race car. SolidWorks also provides tools for stress, thermal, vibration analysis and much more, all with extensive documentation and tutorials.

## SYSTEM REQUIREMENTS

Windows 7 Professional, Ultimate and Enterprise versions are supported (both 32 and 64-bit systems)

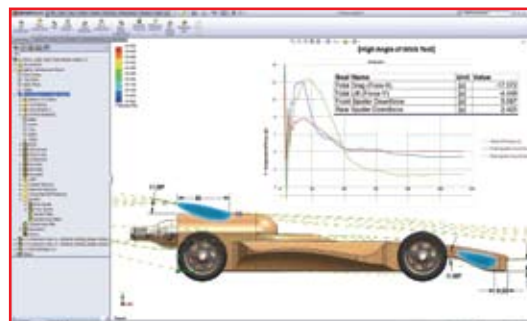
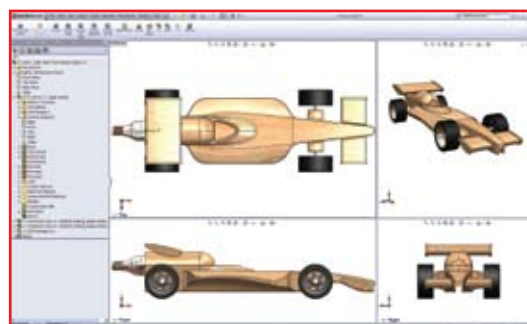
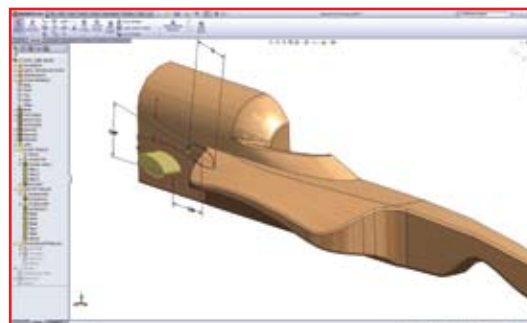
Intel Pentium, Xeon or Core, AMD Athlon, Opteron or Turion  
1GB minimum RAM

Tested OpenGL workstation graphics card and driver combination (see [www.solidworks.com/graphicscards](http://www.solidworks.com/graphicscards))

DVD Drive and pointing device

Internet Explorer 6

Microsoft Excel 2002, 2003 or 2007



Get help, advice and share designs online  
[www.denforddata.com/bb](http://www.denforddata.com/bb)

To get you up and running, Denford also offer a range of CNC Routers, Lasers, Milling Machines and Lathes, together with tooling packages, workholding kits and courseware.

Total Commitment to Manufacturing Technology in Education and Training Worldwide. ISO9001 compliant.

Denford reserves the right to alter machines and software specifications without prior notice. All Denford products are subject to copyright. All brands and products are trademarks or registered trademarks of their respective companies.